



# VOLTAGE PROTECTION RELAY

VPR-17U

## APPLICATIONS

Electrical LV panels

---

Distribution boxes

---

Automation panels

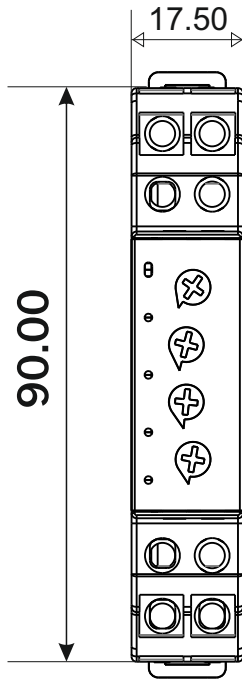
---

Special purpose machine

---

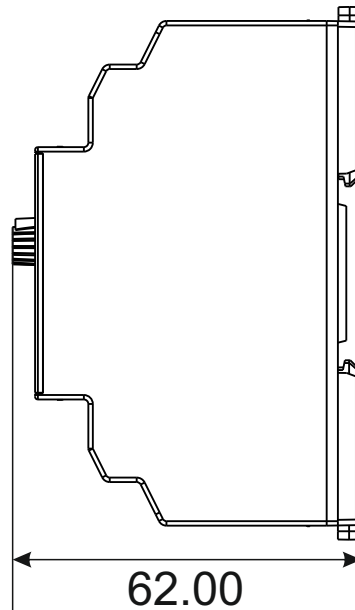
Air conditioning - HVAC

# Mechanical Dimensions



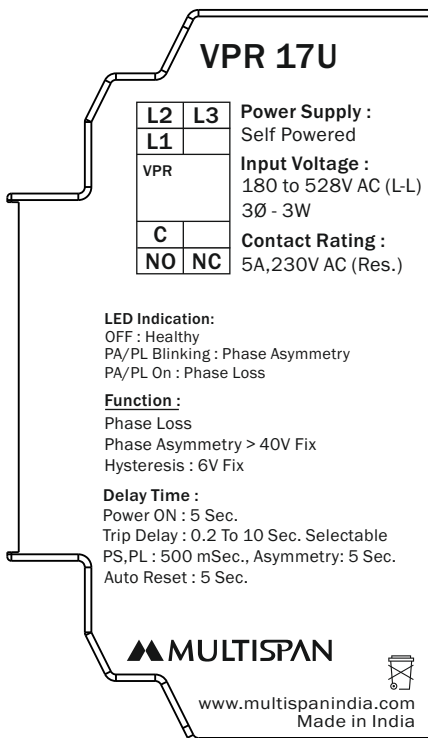
**FRONT VIEW**

All dimensions are in mm



**RIGHT SIDE VIEW**

# Connection Diagram



# TECHNICAL DATA

<b>Mounting</b>	DIN Rail Mounting
<b>Output</b>	1Relay 1 C/O 5A 230V AC (Res.)
<b>Supply Voltage</b>	180 to 528V AC, 50/60 Hz, 3Ø3W

FEATURES
• Auto Reset
<b>Protection Available</b>
• Under Voltage
• Over Voltage
• Phase Sequence
• Phase Loss
• Phase Asymmetry

LED Indication
• Under Voltage LED
• Over Voltage LED
• Phase Sequence LED
• Phase Loss : PL/PA LED ON
• Phase Asymmetry : PL/PA LED Blinking

SUPPLY VOLTAGE	
<b>Input Voltage</b>	280 to 520V AC,3Ø3W
<b>Burden</b>	2VA @ 415V AC Max

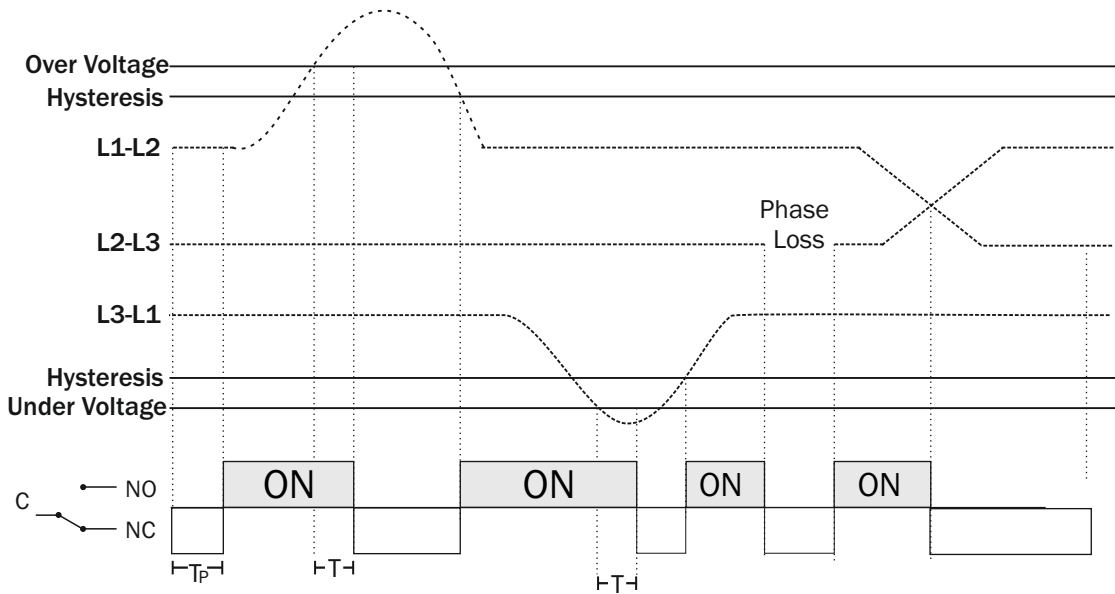
Environmental	
<b>Operating Temperature</b>	0 to 55 °C
<b>Storage Temperature</b>	0 to 70 °C
<b>Himidity</b>	95% RH Non-condensing

TRIPPING PARAMETER	
<b>Rated Voltage</b>	220 to 480V AC (L-L)
• <b>Under Voltage</b>	2% to 20%
• <b>Over Voltage</b>	2% to 20%
• <b>Phase Sequence</b>	500ms
• <b>Phase Loss</b>	500ms
• <b>Phase Asymmetry</b>	40V Fix
• <b>Trip Delay</b>	0.2 to 10 Sec

Dimensions	
<b>Mounting</b>	Din Rail Mounting
<b>Bezel (HXW)</b>	90 x 17.5 mm
<b>Depth of Installation</b>	62 mm

**Note : Up to 10% across 480V over voltage tripping**

# CONTROL FUNCTION



**Phase Loss** < 280V AC (L-L)  
**Phase Asymmetry** 40V AC (L-L)  
**Hysteresis** 6 V

$T_p$  = Power ON Delay (5 sec)  
 $T$  = Trip Delay (0.2 to 10 sec)